



Cabled Load Link



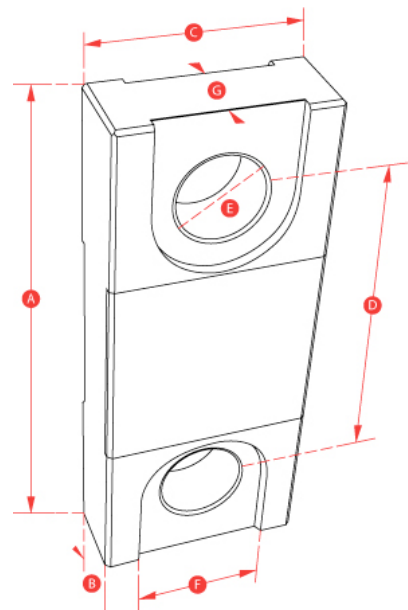
- **Lightweight and easy to use**
- **10 m of cable**
- **Supplied with transit case**
- **Robust alloy handset**
- **22 mm digits**
- **Alarm functions**

This latest product offering from WWS has been developed from the experience built up over many years in remote load monitoring and it is ideally suited for harsh environments. The long battery life on standard batteries eliminates the need for chargers, improving reliability and ease of use.

Key information

Capacities	250 KGS - 250 Tonne
Resolution	0,05 KG to 0,1 Tonne
Units	KGS - TONNE - LBS - KN
Safety factor	50:1 - 4:1
Battery type	AA Alkaline
Battery life handset	80 hours
Display type	22 mm LCD
OP Temp	-10 to 50°C
Accuracy	±0.3% of applied load

Capacity (Te)	A	B	C	D	E	F	G
250 KGS	204	43	101	146	24,5	47,5	19
500 KGS	204	43	101	146	24,5	47,5	19
1000 KGS	204	43	101	146	24,5	47,5	19
2,5 TE	204	43	101	146	24,5	47,5	19
5 TE	249	43	101	165	38	66	32
12 TE	305	47	101	193	47,5		
25 TE	340	60	110	215	55		
35 TE	418	75	126	250	60		
50 TE	424	75	163	230	76		
100 TE	608	99	255	320	108		
200 TE	690	150	305	350	125		
250 TE	690	150	305	350	125		



Water Weights Scandinavia has served customers in the offshore, shipping, defence and contractor sectors since 1981 throughout Scandinavia. We are proud to be the preferred partner in crane testing in Scandinavia for numerous clients spanning from SMEs to multinational companies. With our core values; safety, precision and service, we proudly celebrate 30 years under the same management and ownership.

