

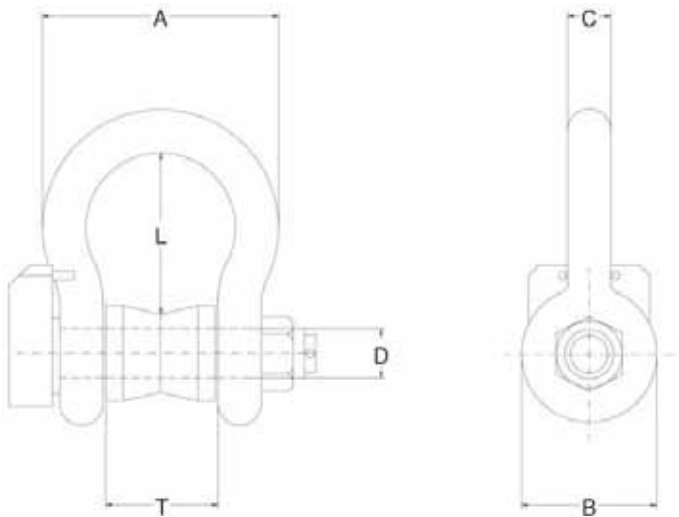


# Wireless Load Shackle



- **Robust anti rotation**
- **Load bobbin**
- **Auto power down**
- **300 hour operation on 2 AA batteries**
- **Capacities from 6,5 to 500 tonne**
- **Traceable calibration**

This latest product offering from WWS has been developed from the experience built up over many years in remote load monitoring and it is ideally suited for harsh environments. The long battery life on standard batteries eliminates the need for chargers, improving reliability and ease of use.



| Capacity (Te) | A   | B   | C   | D   | L   | T   |
|---------------|-----|-----|-----|-----|-----|-----|
| <b>6,5</b>    | 100 | 54  | 22  | 25  | 84  | 38  |
| <b>12,0</b>   | 146 | 76  | 32  | 35  | 119 | 50  |
| <b>25,0</b>   | 171 | 106 | 45  | 50  | 146 | 73  |
| <b>35,0</b>   | 197 | 127 | 51  | 57  | 187 | 83  |
| <b>55,0</b>   | 311 | 142 | 68  | 70  | 267 | 105 |
| <b>120,0</b>  | 420 | 203 | 92  | 95  | 350 | 130 |
| <b>150,0</b>  | 460 | 229 | 100 | 108 | 371 | 140 |
| <b>250,0</b>  | 625 | 305 | 115 | 127 | 508 | 215 |

### Key information

|                          |                       |
|--------------------------|-----------------------|
| Capacities               | 6.5-500 Tonne         |
| Full load output         | 2.0 NOM. mV/V         |
| Zero load output         | ← ±2%                 |
| Excitation (max)         | → 7.2V                |
| Accuracy                 | ← 0.5%                |
| Repeatability            | ← 0.10 %              |
| Input resistance         | 745Ω                  |
| Output resistance        | 700Ω                  |
| Compensated temp range   | -10 TO +60 °C         |
| Operating temp range     | -30 TO +70            |
| Temp coefficient on zero | ← 0.005 % CAPACITY/°C |
| Temp coefficient on span | ← 0.003 % CAPACITY/°C |
| Safe Overload            | 150%                  |
| Insulation               | → 500@100Vdc MΩ       |
| Environmental protection | IP66                  |

Water Weights Scandinavia has served customers in the offshore, shipping, defence and contractor sectors since 1981 throughout Scandinavia. We are proud to be the preferred partner in crane testing in Scandinavia for numerous clients spanning from SMEs to multinational companies. With our core values; safety, precision and service, we proudly celebrate 30 years under the same management and ownership.

