

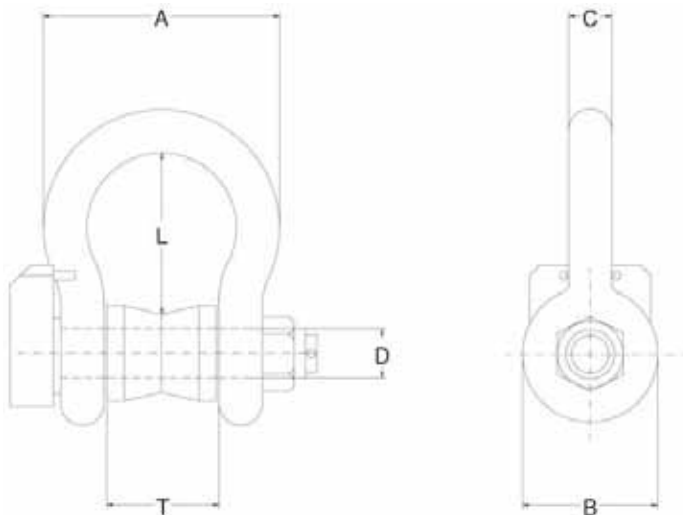


Cabled Load Shackle



- **Robust anti rotation**
- **Load bobbin**
- **ATEX zone 0 2 wire amp**
- **2 wire cable to suit application**
- **Capacities from 6,5 to 500 tonne**
- **Traceable calibrations**
- **Full ATEX certification**

The WWS atex zone 0 shackle is supplied with 2 wire (4 – 20ma tx) and connected to the safe area via a 2 core cable with subcon connectors, full ip66 sealing is achieved by downhole strainingauging. Safe area readout is supplied with safety barriers.



Capacity (Te)	A	B	C	D	L	T
6,5	100	54	22	25,4	84	38
12,0	146	76	32	35	119	50
25,0	171	106	45	50	146	73
35,0	197	127	51	57	187	83
55,0	311	142	68	70	267	105
120,0	420	203	92	95	350	130
150,0	460	229	100	108	371	140
250,0	625	305	115	127	508	215

Key information

Capacities	6.5-500 Tonne
Full load output	2.0 NOM. mV/V
Zero load output	← ±2%
Excitation (max)	→ 7.2V
Accuracy	← 0.5%
Repeatability	← 0.10 %
Input resistance	745Ω
Output resistance	700Ω
Compensated temp range	-10 TO +60 °C
Operating temp range	-30 TO +70
Temp coefficient on zero	← 0.005 % CAPACITY/°C
Temp coefficient on span	← 0.003 % CAPACITY/°C
Safe Overload	150%
Insulation	→ 500@100Vdc MΩ
Environmental protection	IP66

Water Weights Scandinavia has served customers in the offshore, shipping, defence and contractor sectors since 1981 throughout Scandinavia. We are proud to be the preferred partner in crane testing in Scandinavia for numerous clients spanning from SMEs to multinational companies. With our core values; safety, precision and service, we proudly celebrate 30 years under the same management and ownership.

